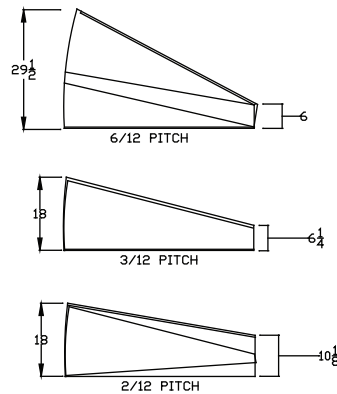
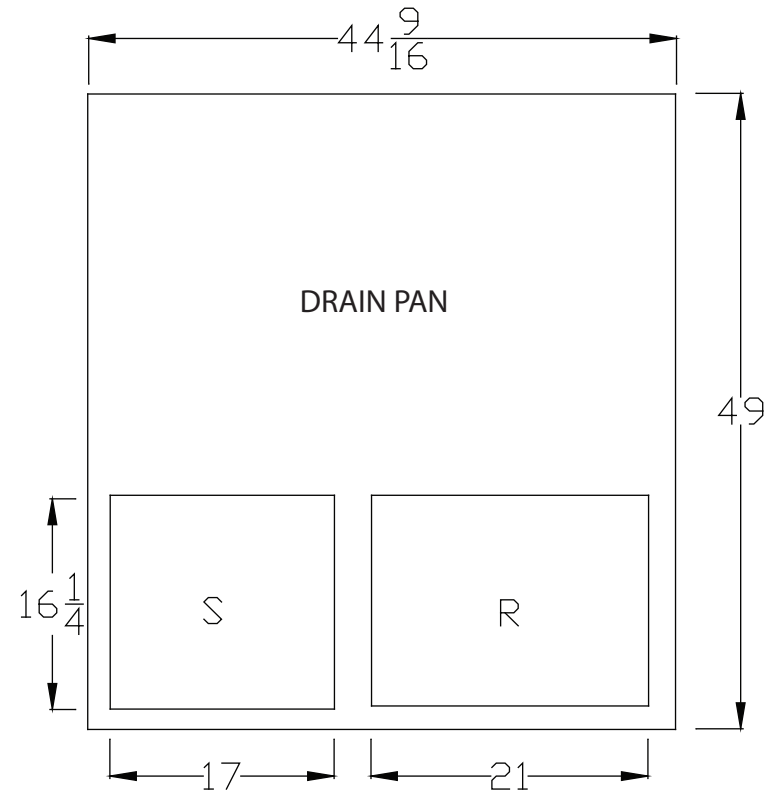


FLANGE
6" SIDES AND
BACK
8" FRONT



- Fully assembled for fast installation
- Adjustable from a 2/12 up to a 6/12 pitch
- 18 Gauge prime galvanized steel
- 1" fiberglass insulation for sound attenuation
- Fully Welded
- Curb installer to seal all corners and joints of curb as necessary
- Supplied with gasket material



RECOMMENDED PLENUM SIZES

SUPPLY - ACPIDXDR36 GZ PLENUM-26 GAUGE-KD - 3/4" FLANGE
16 5/8" x 15 7/8" 36" HI-BARE

SUPPLY - ACPIDXDR36 IZ PLENUM-26 GAUGE-KD - 3/4" FLANGE
16 5/8" x 15 7/8" 36" HI-1" LNR

RETURN- ACPIFDDR36 GZ PLENUM-26 GAUGE-KD - 3/4" FLANGE
20 5/8" x 15 7/8" 36" HI-BARE

RETURN - ACPIFDDR36 IZ PLENUM-26 GAUGE-KD - 3/4" FLANGE
20 5/8" x 15 7/8" 36" HI-1" LNR



MODULAR METAL FABRICATORS, INC.

RQNL/RQPL
HEAT PUMP
2 TO 4 TON

SIZE	FSCM NO.	PART NO.	REV
SCALE	SHEET		